

# Correlator Software Upgrade Overview



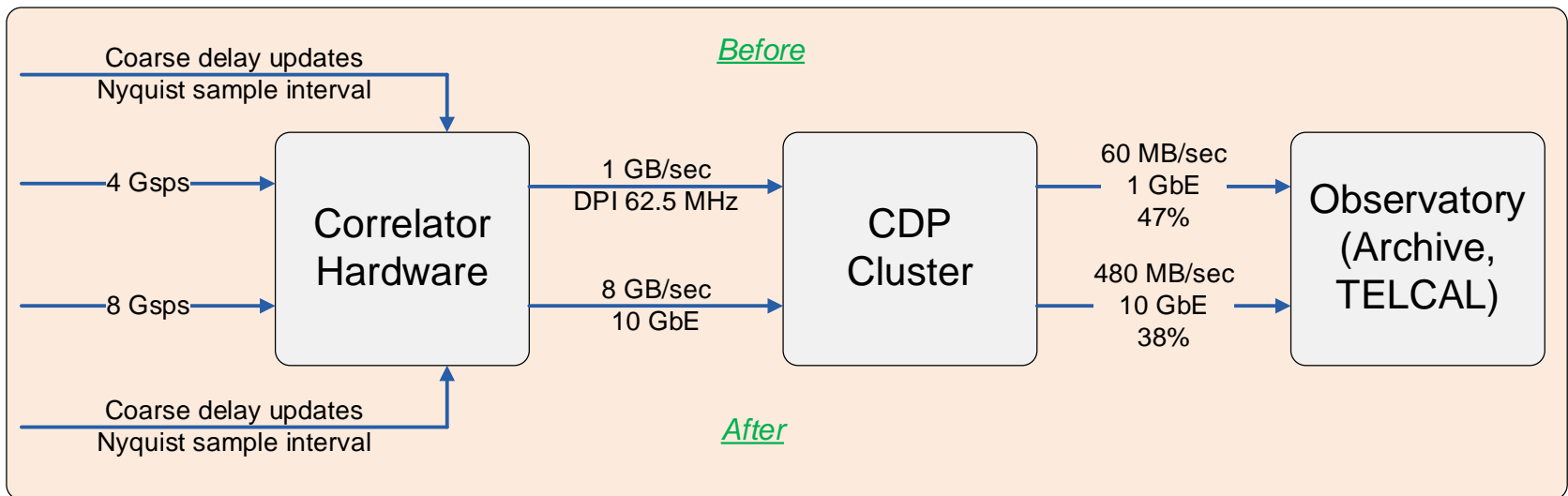
Rodrigo Améstica  
ALMA Integrated Computing Team

Atacama Large Millimeter/submillimeter Array  
Karl G. Jansky Very Large Array  
Robert C. Byrd Green Bank Telescope  
Very Long Baseline Array

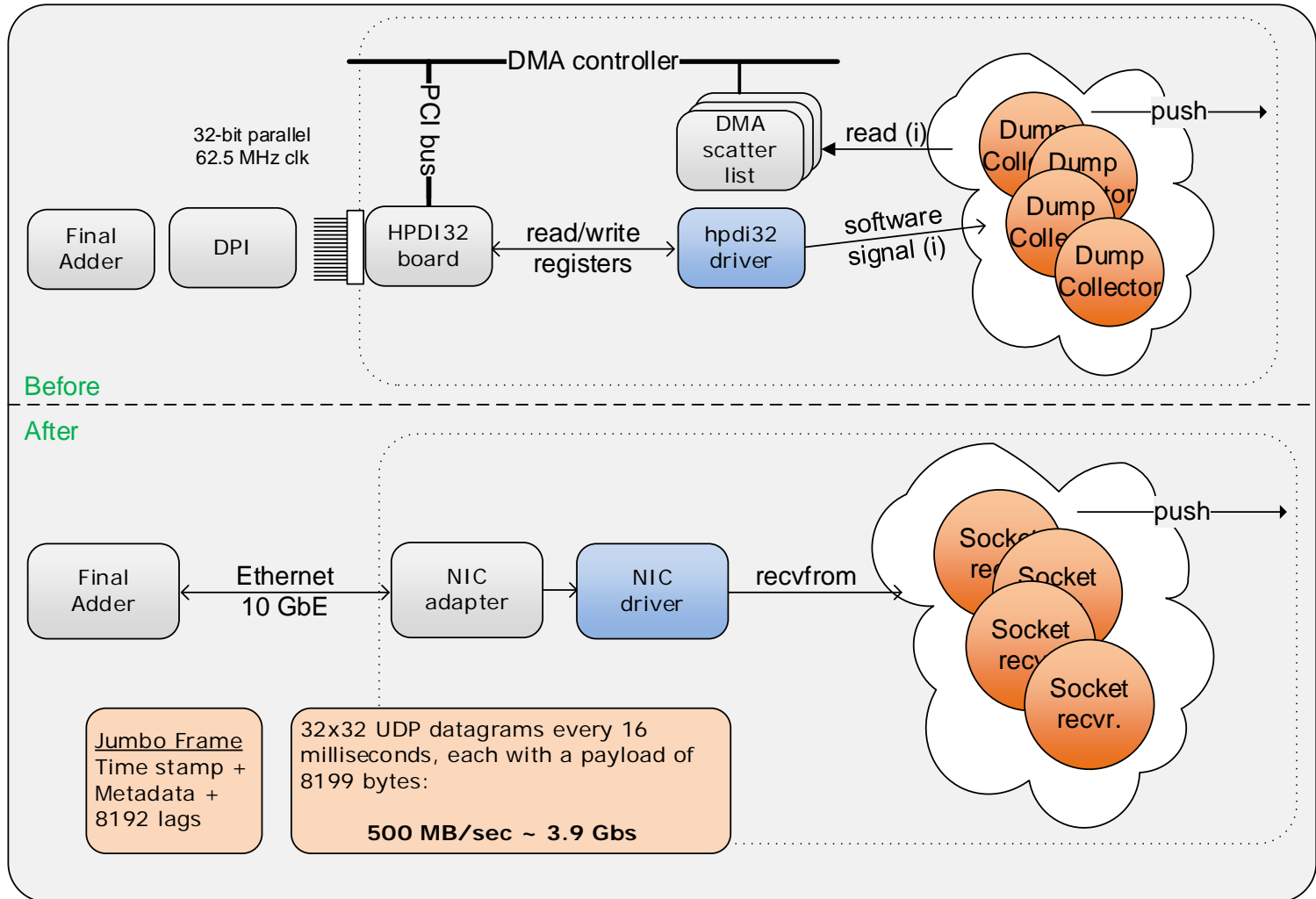


# Overview

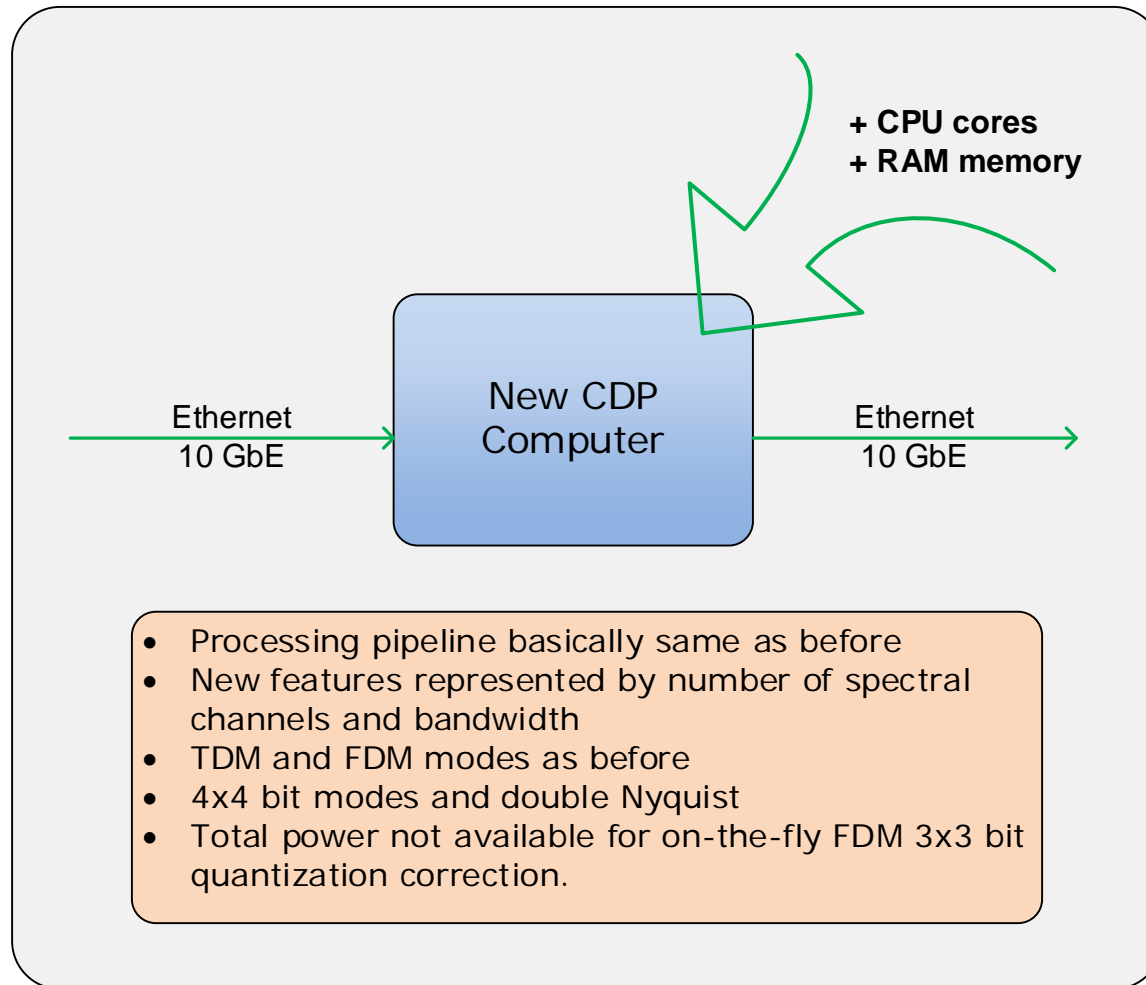
- Data rates driven by eight times more lags per antenna-intersection
- Delay updates two times faster



# Data interface becomes Ethernet



# CDP upgrade approach



# Possible interconnect solutions

