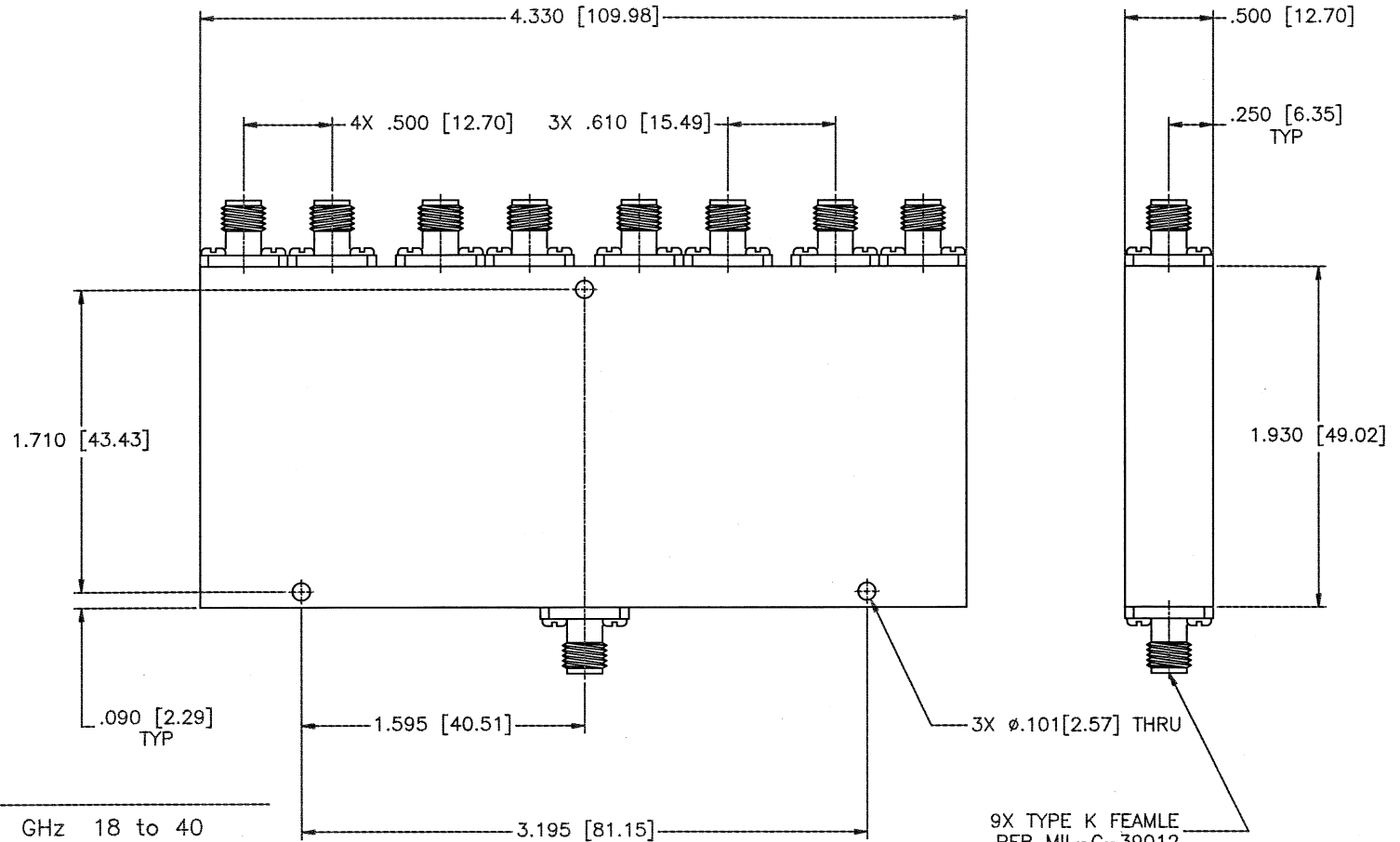


REVISIONS				
ZONE	REV	DESCRIPTION	Date	APPROVED



ELECTRICAL SPECIFICATIONS

Frequency Range	GHz	18 to 40
VSWR Input	Max.	1.75:1 = 11.3dB
VSWR Output	Max.	1.75:1
Insertion Loss (Max)	Max.	4.0dB
Isolation (Min.)	Min.	14dB
Amplitude balance ±(Max)	Max.	1.2dB
Phase balance ±(Max)	Max.	12° Deg.

MATERIAL:	
DRAWN: Paiboon Luekhamhan	
DATE: 09-27-2005	APPROVED: T. Nguyen

MCLI MICROWAVE COMMUNICATIONS LABORATORIES INC.
 7255 30TH AVE. N. SAINT PETERSBURG, FL 33710
 TEL: (727) 344-6254 FAX: (727) 381-6116
 http://www.mcli.com

UNLESS OTHERWISE SPECIFIED:
 TOLERANCES
 IN (INCHES) OR [mm] (MILLIMETERS)
 FRACTIONS: ± 1/64
 DECIMALS: ±.01 ±.005
 ANGLE: ±1/2°

SCALE:	N/A		
SHEET:	N/A		
DRAWING TITLE:	8-WAY POWER DIVIDER		
PART NO.:	PS8-54		
CAGE CODE:	SIZE: N/A	REV: N/A	DWG NO. 82417
DO NOT SCALE THE DRAWING			

PROPRIETARY NOTICE:
 THE INFORMATION IN THIS DRAWING IS PROPRIETARY
 AND SHALL NOT BE USED OR DISCLOSED WITHOUT
 PERMISSION FROM MICROWAVE COMMUNICATIONS
 LABORATORIES INC. (MCLI)

THIRD ANGLE PROJECTION