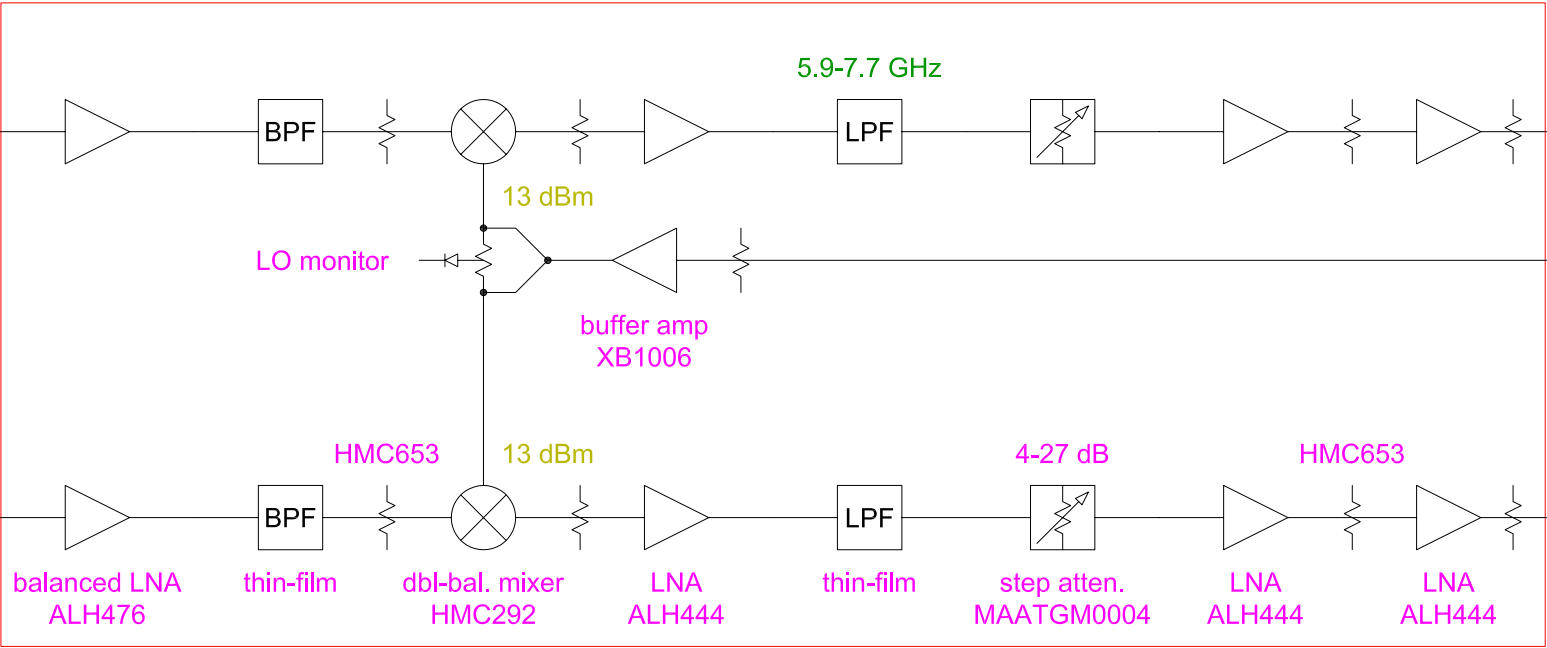


# Integrated Downconverter Module (Type 2)



18-26.5 GHz

18-26.5 GHz

5.9-7.7 GHz

5.9-7.7 GHz  
-25.5±1 dBm

25.7-32.4 GHz  
-2±5 dBm

5.9-7.7 GHz  
-25.5±1 dBm

13 dBm

13 dBm

4-27 dB

LO monitor

buffer amp  
XB1006

HMC653

HMC653

balanced LNA  
ALH476

thin-film

dbl-bal. mixer  
HMC292

LNA  
ALH444

thin-film

step atten.  
MAATGM0004

LNA  
ALH444

LNA  
ALH444

BPF

LPF

BPF

LPF