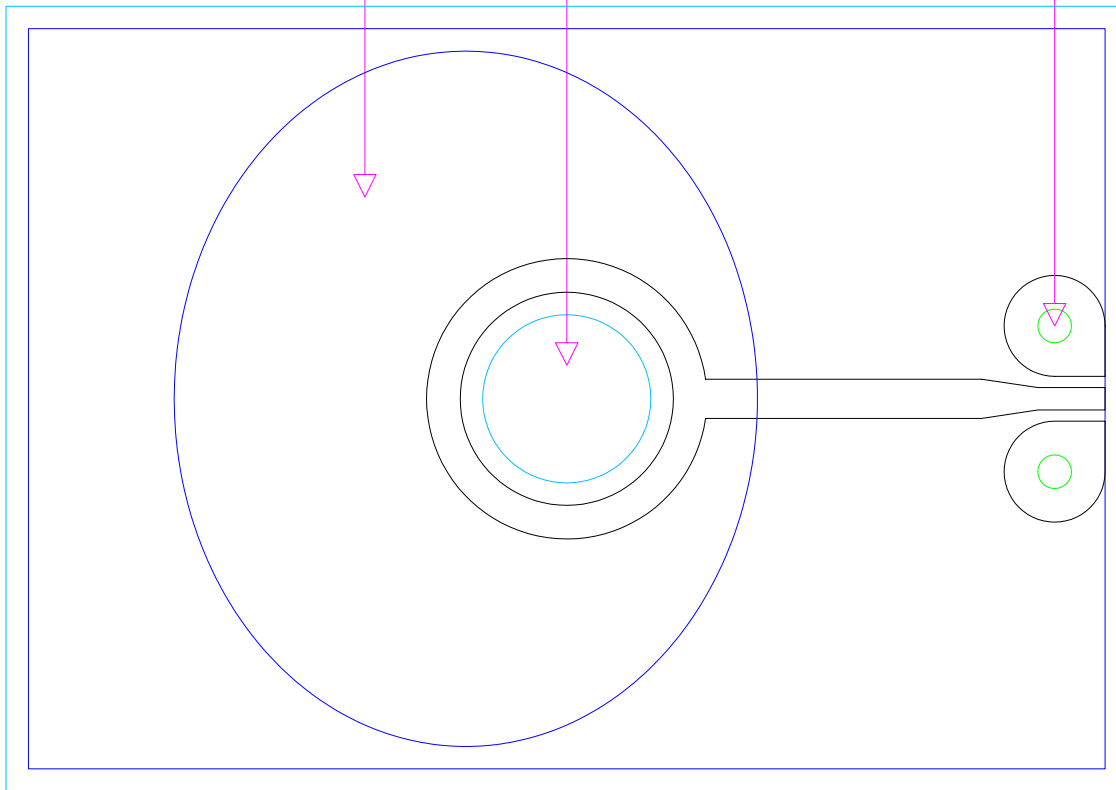


backside metal removed here

3 mil diameter, plated-thru via

laser cutout



substrate: 4 mil thick Alumina
metalization: WTi with 200u" Au for wire bonding
vias: 3 mil diameter, plated-thru

layers:

chip outline = cyan

top metal = black

backside metal = blue

vias = green

NATIONAL RADIO ASTRONOMY OBSERVATORY

1180 Boxwood Estate Rd, Charlottesville, VA, 22903

NAME: 40t3b

FILE: 40t3b.dwg

DATE: 1/24/2008

BY: Matthew A. Morgan

E-MAIL: matt.morgan@nrao.edu