

4

3

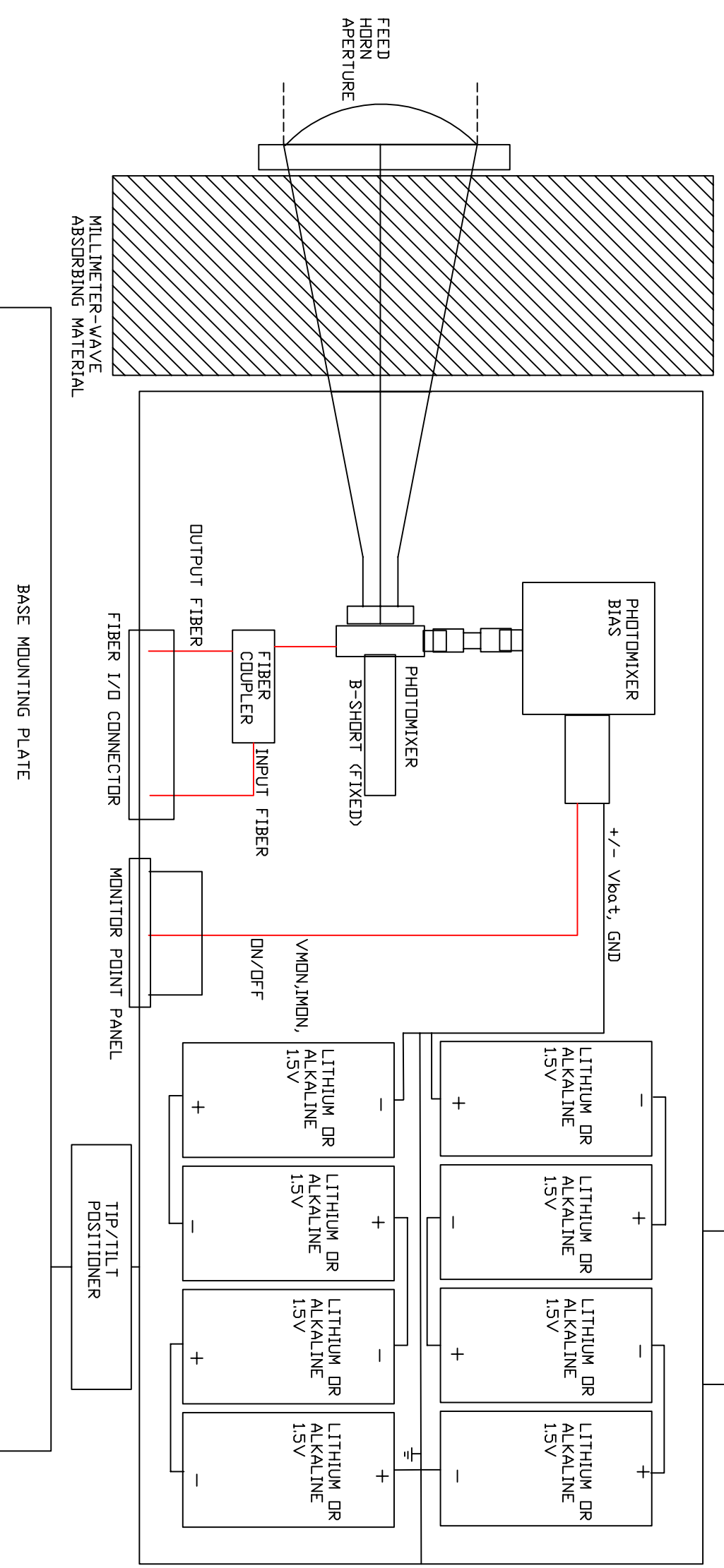
2

1

D

D

TELESCOPIC SIGHT



NOTES

1. PHOTOMIXER BIAS CAN BE MODULAR OR PRINTED CIRCUIT VERSION
2. PHOTOMIXER BACKSHORT SHOULD BE FIXED TO BEST POSITION FOR 78 AND 104 GHZ
3. OPTICAL FIBER WITHIN THE MODULE SHOULD BE TAPED OR HELD FIRMLY IN PLACE.
4. FIBER CONNECTOR MAY BE ONE TWO-FIBER CONNECTOR OR TWO SEPARATE CONNECTORS, BUT SHOULD BE WEATHERPROOF AND HAVE VERY LOW INSERTION AND RETURN LOSS (ANGLE-POLISHED FERRULE)
5. MONITOR POINTS SHOULD BE ACCESSIBLE AFTER REMOVAL OF A WATERPROOF AND SHIELDED PANEL. THESE MONITOR POINTS ARE FOR USE IN THE LAB ONLY AND PANEL SHALL BE IN-PLACE WHEN THE MODULE IS MOUNTED ON THE TOWER
6. TIP/TILT POSITIONNER SHALL HAVE MECHANISM FOR LOCKING POSITION
7. BASE MOUNTING PLATE SHALL BE OUTFITTED WITH SOME TYPE OF QUICK CONNECT
8. QUICK CONNECT FASTENER
9. MILLIMETER-WAVE ABSORBER IS ATTACHED TO THE MODULE IN A PERMANENT WEATHERPROOF FASHION

4

3

2

1

A

A

B

B

C

C

REVISION HISTORY				
ZONE	REV	DESCRIPTION	DATE	APPROVED


NATIONAL RADIO ASTRONOMY OBSERVATORY
operated by ASSOCIATED UNIVERSITIES INC. in agreement with THE NATIONAL SCIENCE FOUNDATION

SIZE	CAGE CODE	DWG NO.	CALC. WT.	ACT. WT.	SHEET	REV.
B		00000000X000				XX